

SORTER ADAPTER TYPE E

(A918)

This parts catalog includes MB No 1 to 2.

PARTS CATALOG

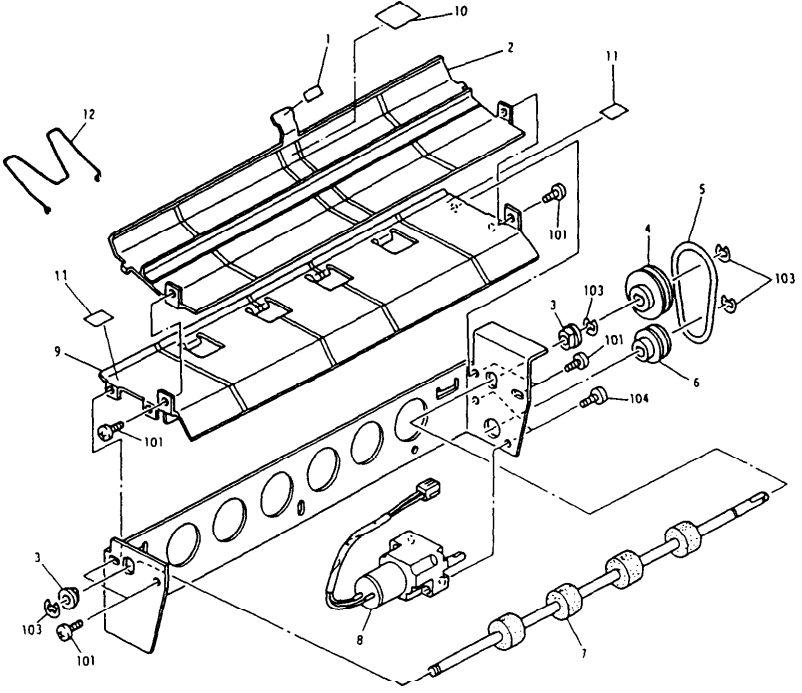
INTRODUCTION

This chapter instructs you the numbers and names of this parts on this machine.

INDEX to PARTS CATALOG

| | |
|--------------------------------|----|
| 1. Sorter Adapter (A918) | .2 |
| Parts Index. | |

1. SORTER ADAPTER (A91 8)



1. SORTER ADAPTER (A918)

| Index No. | Part No. | Description | Q'ty Per Assembly |
|-----------|-----------|---------------------|-------------------|
| 1 | A411 2531 | Knob Cap | 1 |
| 2 | A918 1221 | Upper Guide Plate | 1 |
| 3 | 5053 0447 | Bushing - 6mm | 2 |
| 4 | 6803 4216 | Pulley | 1 |
| 5 | 6803 4316 | O Ring | 1 |
| 6 | 6805 1311 | Pulley - 6x25x11 mm | 1 |
| | A910 1241 | Transport Roller | 1 |
| | 6805 1241 | x/o MB2 | 1 |
| 8 | A423 5410 | DC Motor - 24V 2.9W | 1 |
| 9 | A918 1211 | Lower Guide Plate | 1 |
| 10 | A910 6511 | Decal - Duplex Exit | 1 |
| 11 | 5917 1216 | Rubber 8X10 | 2 |
| 12 | 5917 1641 | Original Holder | 1 |
| 13 | 6769 1127 | Lower Mounting Stud | 2 |

| Index No. | Part No. | Description | Q'ty Per Assembly |
|-----------|------------|----------------------------------|-------------------|
| 101 | 0314 0080W | Philips Pan Head Screw · M4x8 | |
| 102 | 0344 0080D | Philips Truss Head Screw · M4x8 | |
| 103 | 0720 0040E | Retaining Ring · M4 | |
| 104 | 0965 3010W | Tapping Screw With Flat Washer · | |